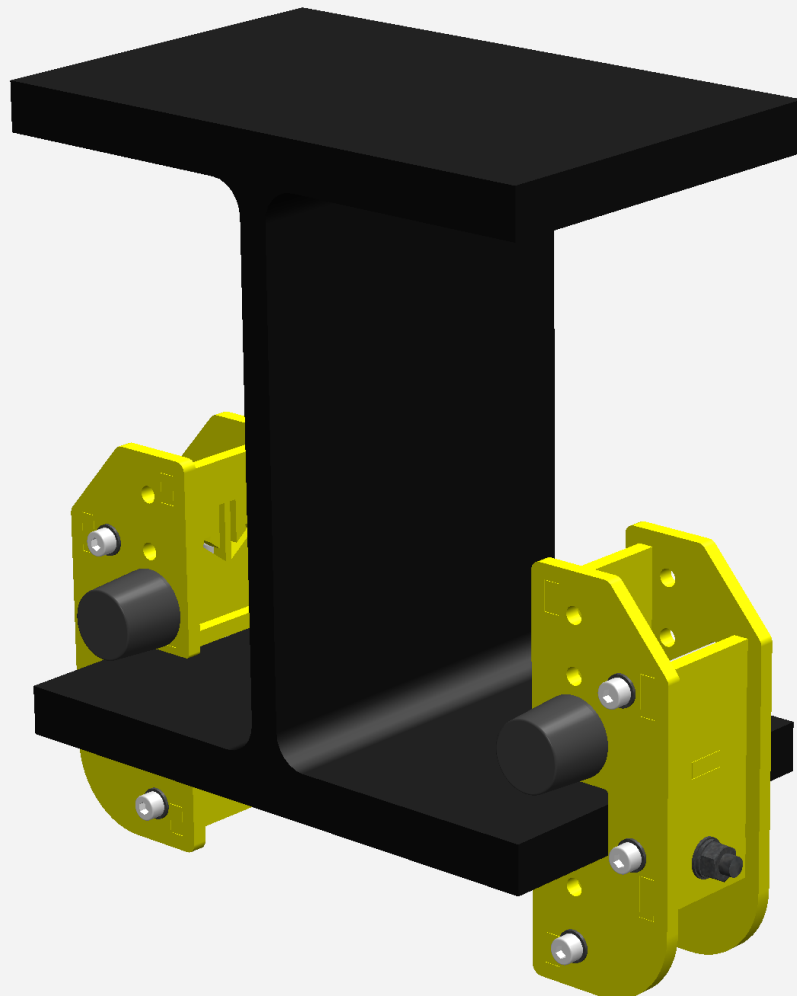
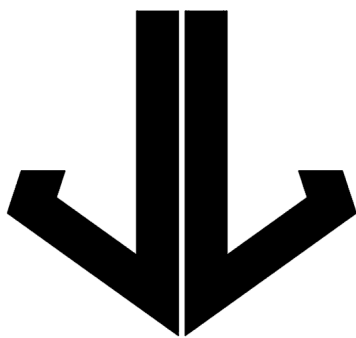


Levitate Lifting Equipment

Universal Cross Travel End Stop



Levitate Lifting Equipment



Gantry Cranes

Jib Cranes

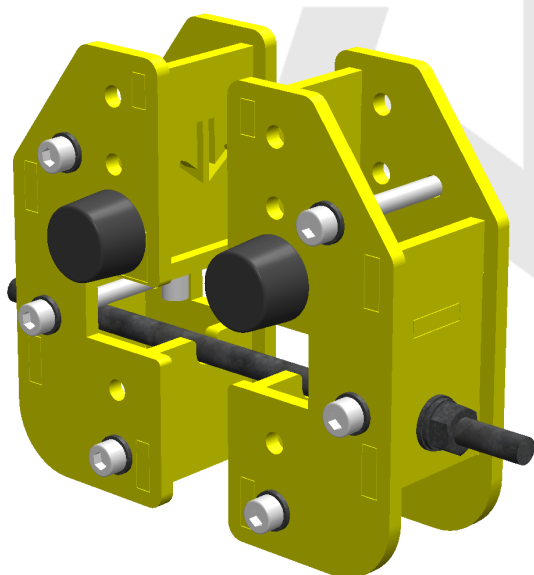
Lifting Beams

Monorails

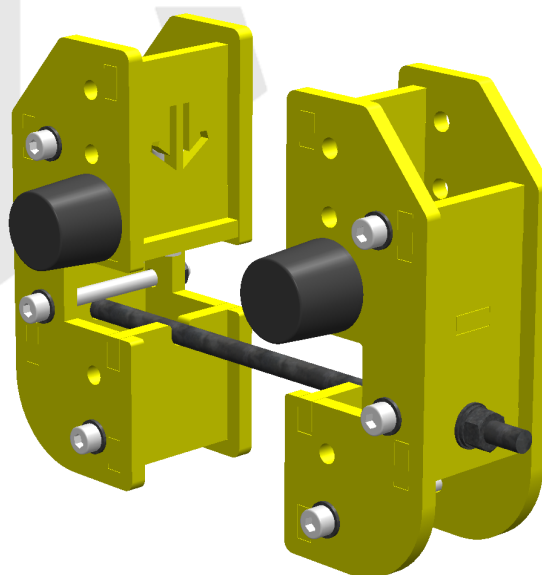
Universal Cross Travel End Stop

Features

- Designed to suit Crab/Motorized trolley of capacity up to 10T.
- Supplied in flat pack with assembly instruction (tested assembling time 4 minutes).
- Quick installation on site.
- Surface Finish: Powder coated Y14 / Gal spray coating.
- For installation on lower or upper flange.
- Supplied in pair (As shown).
- Requires single competent person for installation.



Model: ES07kN



Model: ES18kN

Model	Flange Width Range (mm)	Flange Thickness Range (mm)	Force Max/Pair (kN)	Weight/Pair (kg)
ES07KN	75 - 350	10 - 20	7	2
ES18KN	110 - 750	10 - 30	18	6.5